



Features

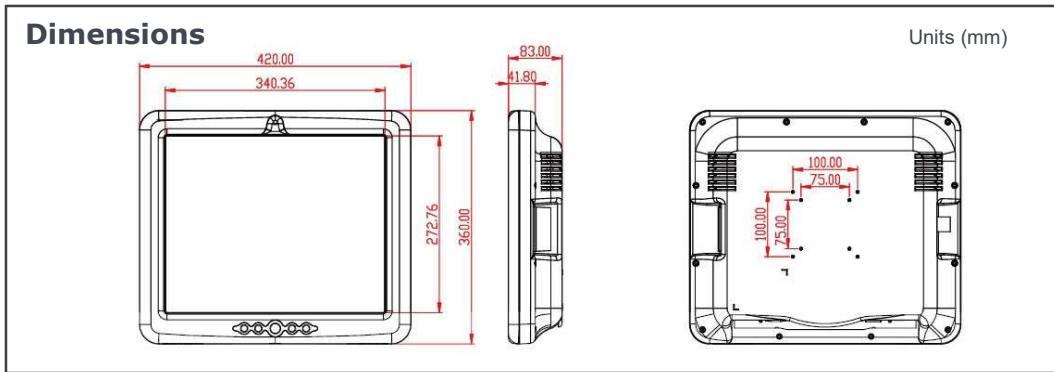
- Intel® Skylake & Kaby Lake Core i7/i5 processor
- 17" 5:4 1280x1024 350 nits LCD panel
- Medical latest EN 60601-1 & 60601-2 certifications
- Support Intel® vPro with optional Core i7/i5 CPU
- Anti-bacteria hospital while plastic housing
- Integrated 5-wire resistive touch
- Front IP65 ingress protection
- Optional PCIe x16 expansion flexibility
- Optional internal UPS battery pack
- Optional 4kV isolated I/O ports (LAN, COM & USB)
- Support RAID 0,1

Specifications

Model	WMP-17F (IPOA - Standard)	WMP-17F (IPOB - Isolated)
Main System		
CPU / Chipset	LGA1151 package 6 th /7 th generation Intel® Core i7/i5/i3/Celeron processor	
Graphic	Integrated Intel® HD Graphics	
RAM	Two 2133 MHz DDR4 SODIMM socket support dual Channel, non-ECC, up to 32GB	
OS Support	Windows 7 embedded, Windows 7 pro, Windows 8 embedded, Windows 8 industrial, Windows 10	
Storage	1x 2.5" SSD/HDD SATA3 drive, 1x mSATA SSD (via mini PCIe) Optional 2 nd 2.5" SSD/HDD	
Expansion	1x PCI-e(x16) (Isolated I/O module will occupy PCIe slot), 2x mini PCIe Optional Wifi 802.11 ac/a/b/g/n + Bluetooth module	
Display Size	17" 5:4 TFT-Color LCD	
Display	1280x1024 (SXGA), 350nits, 16.2M colors, 170(H) / 160(V) viewing angle, 1000:1 contrast ratio, 16.2M color	
Touch Screen	Resistive 5-wire / Light transmission: 81% ± 3% / Hardness: ≥3H / Life: 35M times	
I/O Ports		
USB	4x USB3.0	4x USB3.0, 2x isolated USB2.0
COM	RS232/422/485 (support RS485 auto flow control function), RS232	RS232/422/485, RS232, Isolated RS232/422/485, Isolated RS232
LAN	2x RJ45	RJ45, Isolated RJ45
Audio / Video-out	2x 3.5mm phone jack (Line-out, Microphone-In) / DVI-D, DisplayPort	
Control Hot Key	Brightness - / Brightness + / Power on/off / Volume - / Volume +	
Mechanical and Environmental		
Cooling	Smart fan	
Power Input	DC-In, 7~32V wide range	
Power Adapter	Medical grade 100-Watt, AC input 100~240V / 47~63 Hz / DC output 12V	
Temperature	Operating: 0~40°C / Storage: -20~60°C	
Humidity	Operating & Storage: 10 ~ 90%, non-condensing	
IP Rating / Housing	IP65 front side, IPX1 whole system / Plastic white w/ anti-bacteria (MRSA) treatment	
Dimension	420 x 360 x 83 mm / 16.6" x 14.2" x 3.3" (W x H x D)	
Weight	7 kg (net, w/o power adapter/battery pack)	
Mounting	VESA 75x75 & 100x100 interface	
Certifications	FCC (part 18 Class B) / CE (EN 60601-1-2 ver. 4.0) / VCCI (2016-11, class B) UL/cUL (EN 60601-1:2014 ver. 3.1) / MDD (EN 60601-1:2006/A1:2013 ver. 3.1)	

WMP-17F

Medical AIO Core™ Fan



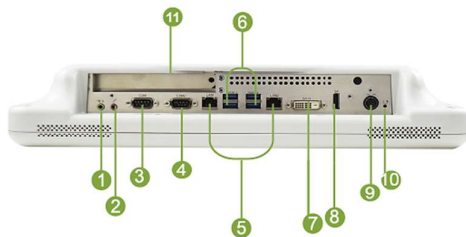
Major Options

Add-on Options	<ol style="list-style-type: none"> 1. mini PCIe Wifi / Bluetooth w/ 2x antenna 2. PCIe (x16) riser card kit 3. Webcam 3.2MP 4. RFID reader (13.56 MHz) 5. TPM2.0 module 6. Internal battery pack (30Wh, typical) 7. 4kV isolated I/O kit 8. I/O cover with microphone 9. Equipotential terminal pin 10. mSATA SSD 11. 2nd 2.5" SSD/HDD
Power Cable	<ol style="list-style-type: none"> 1. DC-DC extension cable (2 meter) 2. Power plug holder
Accessory Options	<ol style="list-style-type: none"> 1. Desktop stand (Metal, white color, anti-bacteria treatment)
Customization	<ol style="list-style-type: none"> 1. Tempered glass 2. Extra USB or COM ports

Order Information

Item	Configuration
WMP-17F – IR0A	Core i5-6500TE 2.3GHz / 4G RAM / 500G HDD / Full flat R touch / STD
WMP-17F – IR0A	Core i7-6700TE 2.4GHz / 4G RAM / 500G HDD / Full flat R touch / STD

STD IO Parts



- | | |
|-----------------|------------------------|
| ① Line-out | ⑦ DVI-D |
| ② Microphone-in | ⑧ DP x 1 |
| ③ RS232/422/485 | ⑨ DC-in |
| ④ RS232 | ⑩ Reset |
| ⑤ LAN x 2 | ⑪ PCI-E[x16] expansion |
| ⑥ USB 3.0 x 4 | |

